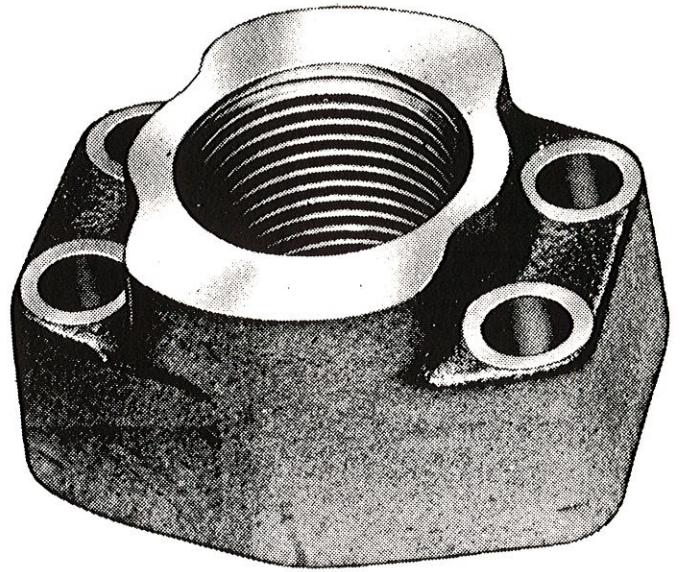
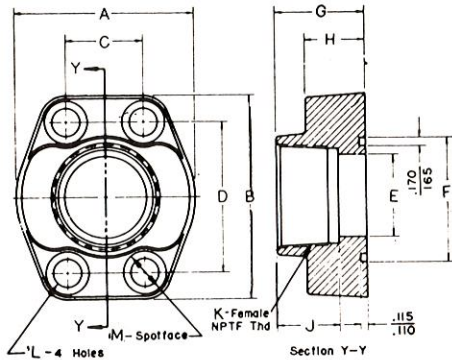




NEWTON

HYDRAULIC FLANGES

Series FFL1 pipe threaded
3000 P.S.I.



Mounting hardware included

| Flange Catalog No. | Nominal Flange Size | A | B | C ±0.010 | D ±0.070 | E DIA. | F DIA. | G | H | J | K NPTF Thread | L DIA. | M Spotface DIA. | SOC HD CAP SCREW | "O" RING ARP-568 Uniform Dash |
|--------------------|---------------------|------|------|-------------|-------------|-----------|-----------------------|------|------|------|---------------------|-----------|-----------------------|---------------------|-------------------------------------|
| FFL1-12-12P-30 | ¾ | 2.06 | 2.56 | 0.875 | 1.875 | 0.75 | $\frac{1.255}{1.250}$ | 1.25 | .84 | .87 | ¾ | .406 | .594 | 3/8-16 x 1½" | -214 |
| FFL1-16-16P-30 | 1 | 2.31 | 2.75 | 1.031 | 2.062 | 1.00 | $\frac{1.565}{1.560}$ | 1.37 | .97 | 1.12 | 1 | .406 | .594 | 3/8-16 x 1½" | -219 |
| FFL1-16-20P-30 | 1¼ | 2.88 | 3.12 | 1.188 | 2.312 | 1.00 | $\frac{1.755}{1.750}$ | 1.50 | 1.03 | 1.12 | 1 | .469 | .656 | 7/16-14 x 1½" | -222 |
| FFL1-20-20P-30 | 1¼ | 2.88 | 3.12 | 1.188 | 2.312 | 1.25 | $\frac{1.755}{1.750}$ | 1.50 | 1.03 | 1.12 | 1¼ | .469 | .656 | 7/16-14 x 1½" | -222 |
| FFL1-24-24P-30 | 1½ | 3.25 | 3.69 | 1.406 | 2.750 | 1.50 | $\frac{2.125}{2.115}$ | 1.62 | 1.09 | 1.12 | 1½ | .531 | .781 | 1/2-13 x 2" | -225 |
| FFL1-32-32P-30 | 2 | 3.81 | 4.00 | 1.688 | 3.062 | 2.00 | $\frac{2.500}{2.490}$ | 1.62 | 1.09 | 1.12 | 2 | .531 | .781 | 1/2-13 x 2" | -228 |
| FFL1-40-40P-30 | 2½ | 4.28 | 4.50 | 2.00 | 3.500 | 2.50 | $\frac{3.005}{2.995}$ | 2.00 | 1.47 | 1.56 | 2½ | .531 | .781 | 1/2-13 x 2½" | -232 |
| FFL1-48-48P-30 | 3 | 5.16 | 5.31 | 2.438 | 4.188 | 3.00 | $\frac{3.625}{3.615}$ | 2.25 | 1.59 | 1.72 | 3 | .656 | .937 | 5/8-11 x 2½" | -237 |

N-1062



NEWTON MANUFACTURING CO.

4249 DELEMERE BLVD. • ROYAL OAK, MICHIGAN 48073
PHONE: (313) 549-9600 • TWX: 810-232-4894

